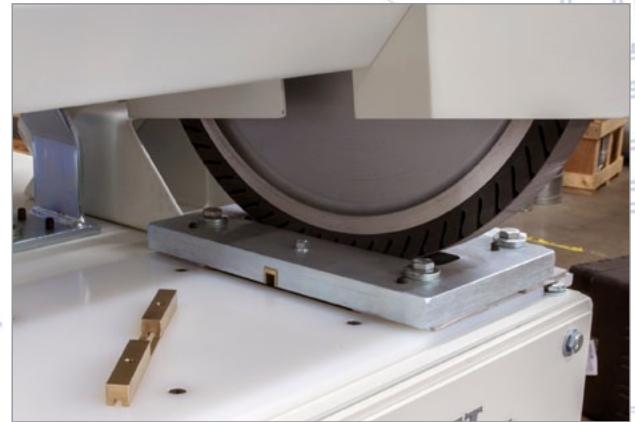


# RANDBRIGHT COMPACT RB 10D DRY Centerless Deburring & Polishing Machine



**Midwest Automation** designs and manufactures a wide range of centerless deburring and finishing machines for wet or dry applications. The **RandBright RB 10D Dry** is a portable, benchtop machine for light-duty applications as found in job shops, small businesses, and a variety of light manufacturing environments using non-woven abrasive wheel/brush.



**Small Part Diameter Kit**  
with 1-inch wide expanding contact drum  
for coated abrasive belt



**Finished Metal Part**

## RB 10D DRY FEATURES INCLUDE

- Bench top design
- Mechanical variable speed drive
- Spring-loaded head assembly
- TEFC head assembly motor with one (1) inch diameter spindle
- Ammeter for head assembly
- Hand wheel adjusted part thickness & head pressure
- Adjustable UHMW guide blades
- Two (2) dust collection pick-ups
- Hinged access door for ease of changing abrasive wheel
- One (1) pair of 3M #356 flanges
- Maximum part diameter is (1) inch
- 110 volt, single phase supply power
- Optional pop-up head and small part diameter guide blade kit
- Optional small part diameter kit, 0.25 inch diameter (6.35 mm)

[Click here to watch the video!](#)



2645 26th Avenue South, Minneapolis, MN 55406  
phone 612-721-5347 [www.midwestautomation.com](http://www.midwestautomation.com)

© 07.01.2017 Midwest Automation LLC



**FINISH WITH US**

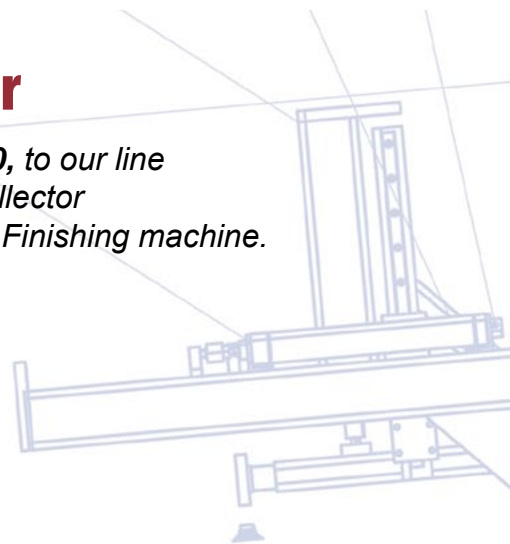
# The NEW COMPACT DC 500 Niagara Wet Dust Collector

## Introducing Our Newest Wet Dust Collector

Midwest Automation is pleased to introduce our latest model, the **DC 500**, to our line of **Niagara Wet Dust Collectors**. The DC 500 is a compact, wet dust collector designed for use with Midwest's new compact **Mini 9** Dry Deburring and Finishing machine.

### The DC 500 Compact, Portable, Economical. Made in USA!

- Wet dust collector designed for steel and stainless steel applications
- For use on narrow wide belts like the new Midwest Automation Mini 9, small centerless finishing machines like the Midwest Automation BT 25, back stand grinders and small down draft tables
- Portable, compact design
- Corrosion free high density polyethylene and ABS polymeric construction
- 2 HP blower and 30 micron exhaust filter
- 110V/60Hz/1 phase power requirement
- Made in the USA



**Midwest Automation**  
2645 26th Ave S  
Minneapolis, MN 55406  
Direct: (612) 721-5347  
sales@midwestautomation.com

**FINISH WITH MIDWEST AUTOMATION**



Made in USA!