

September 2016 NEW PRODUCT RELEASE

From Midwest Automation NEW Kitchen Countertop Laminating System!

KITCHEN COUNTERTOP LAMINATING SYSTEM

Midwest Automation has developed a new laminating system for applying water based PVA adhesive alternately to kitchen countertop cores and laminates in an in-line system. The system uses a specially designed glue spreader for applying the glue which eliminates the costly mess associated with an air atomized spray system.

This system has been in continuous operation for over one year at one of our countertop customers in Canada with proven success. It can be integrated into a Midwest Automation line with an existing spray system, while retaining the conveyors, drying tunnel, index table and pinch roller.

FEATURES INCLUDE

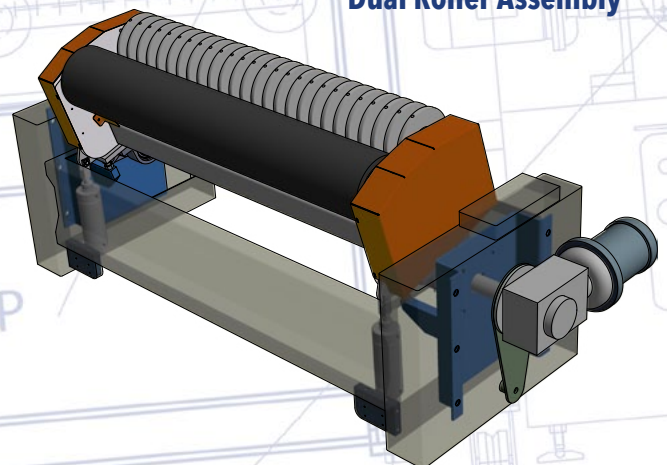
- Large diameter spreading rollers to ensure uniform glue coverage
- Unique design bottom pivoting support rollers (1 solid/1 segmented) to apply adhesive to countertop core and laminate in an in-line system
- Accurate coat weights (grams per square foot)
- Caster kit with rails for ease of cleaning and maintenance
- Automatic cleaning system
- Manual glue feeding system with pump and plumbing



BENEFITS

- 100% glue transfer reduces adhesive waste
- Precision coat weights reduce adhesive costs
- Less expensive to operate
- No mess adhesive overspray
- Lower maintenance costs
- Easier clean up

Dual Roller Assembly



WE HELP YOU LAMINATE BETTER



Kenny Holley
612.843.1329 Direct
kholley@midwestautomation.com